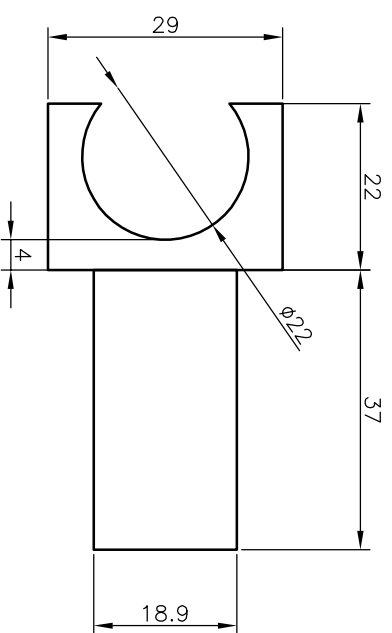
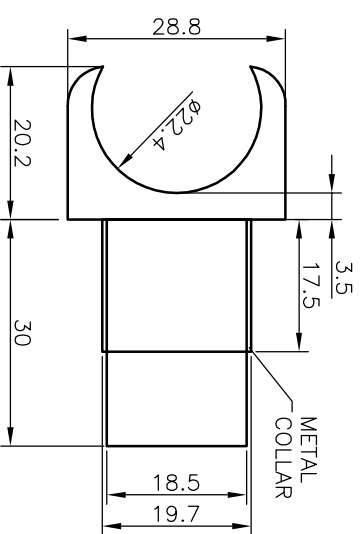


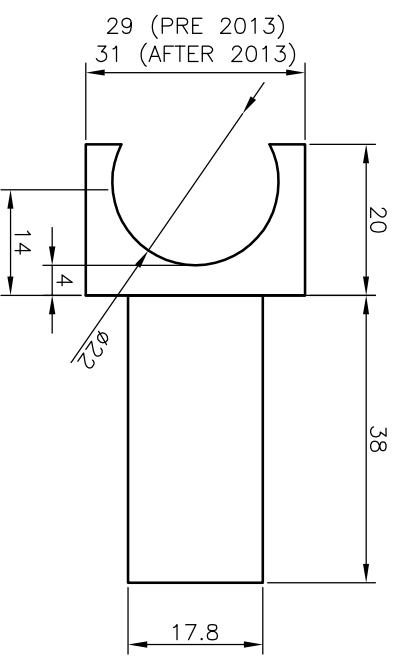
CODE(S): Z10024-25
 FITS LAW0001 AND LAW0002 (FRONT)



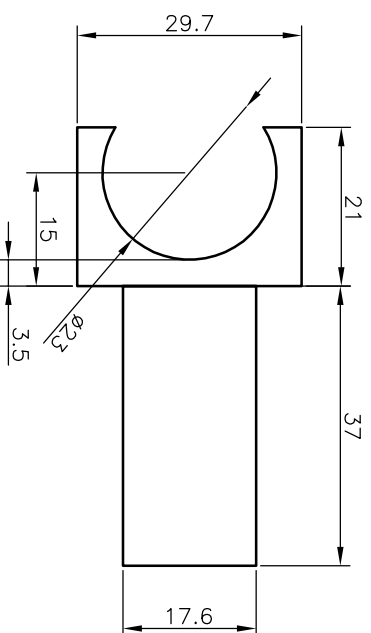
CODE(S): Z11025-24
 FITS: CS114, SSP118FA, BLSTD, TR39-ESV (REAR)



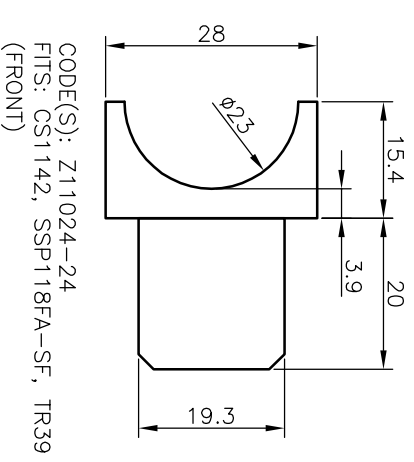
CODE(S): Z10025-01
 FITS: SSP18, STS18, SSP18E, STS18E, SSP16, STS16



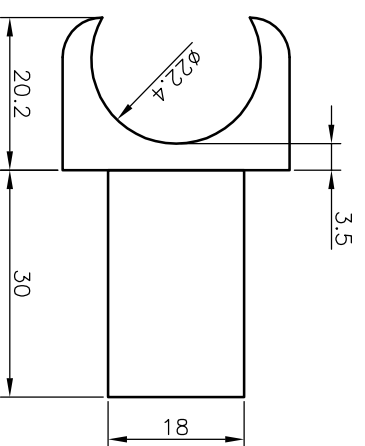
CODE(S): Z10025-25
 FITS: LAW0001 AND LAW0002 (BACK)



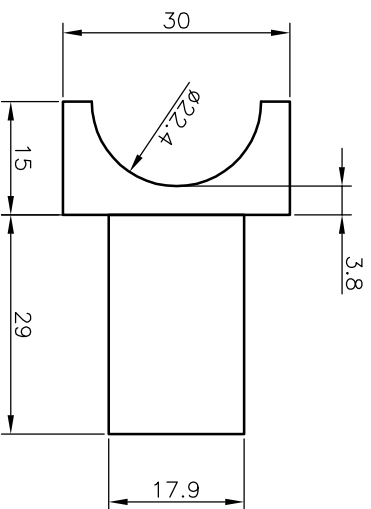
CODE(S): Z10024-27, Z10025-27
 FITS: EXP19 AND ATC19



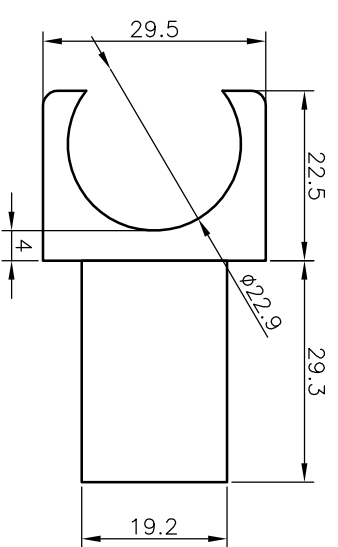
CODE(S): Z11024-24
 FITS: CS1142, SSP118FA-SF, TR39 (FRONT)



CODE(S): Z16027-01
 FITS: LAW0001/LAW0002 (PRE-2010), LAW0001A, LAW0002A, TC001 (REAR)



CODE(S): Z16024-01
 FITS: LAW0001/LAW0002 (PRE-2010), LAW0001A, LAW0002A, TC001 (FRONT)



CODE(S): Z10025-24
 FITS: SSP18AM, STS18AM

NOTES:

TITLE:

PLASTIC SEAT GUIDES

DATE: 17-4-13

SHEET No: 1 Of 1

DRAWN: PMK

CHECKED:

REVISION No: -

SCALE: NTS

DWG No:



Ainley's Industrial Estate, Eiland HX5 9JP
 T: +44 (0) 1422 314488
 E: enquiries@drivemedical.co.uk
 W: www.drivemedical.co.uk/technical